

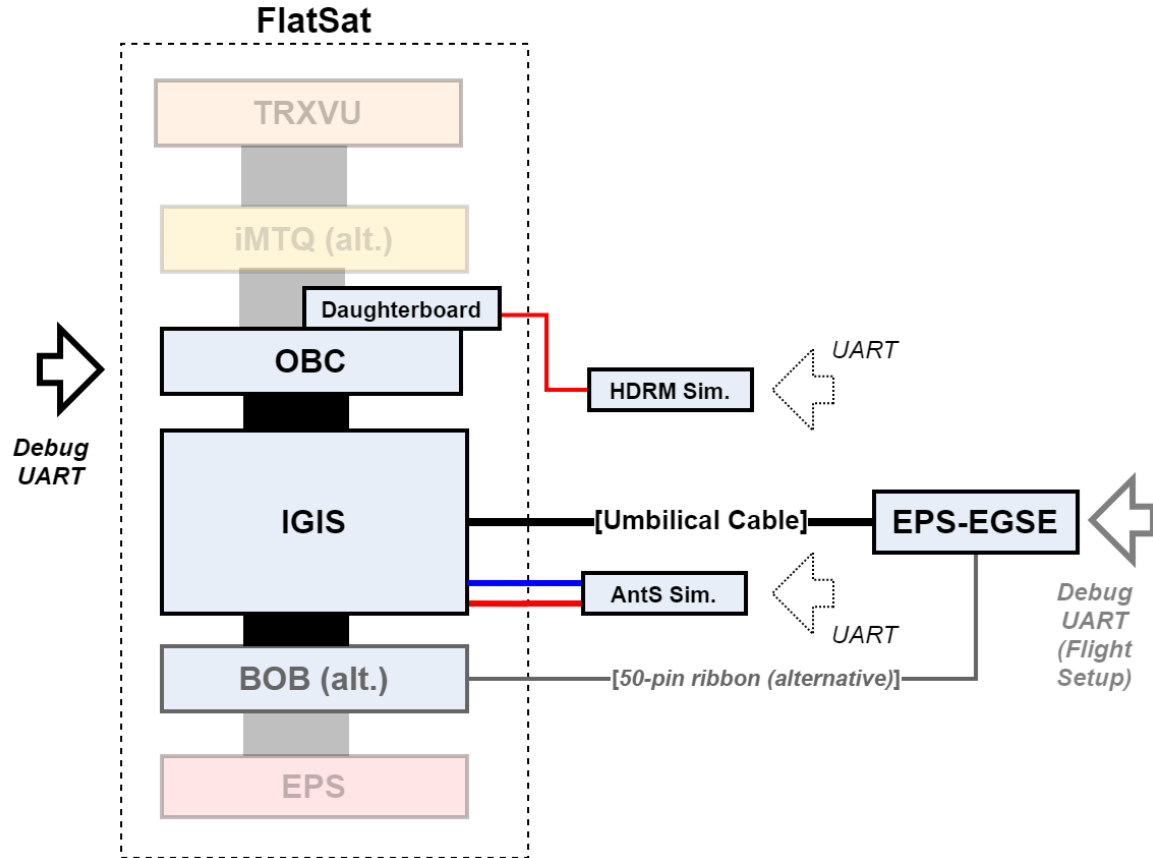


# 5. Functional Testing

Jason Pak Chuen Hau,  
Thomas Ngai Nam Chan,  
Dalvie Cherian Benu,  
Frank Tsz Kiu Wong Chan,  
Theodor-Adrian Stana

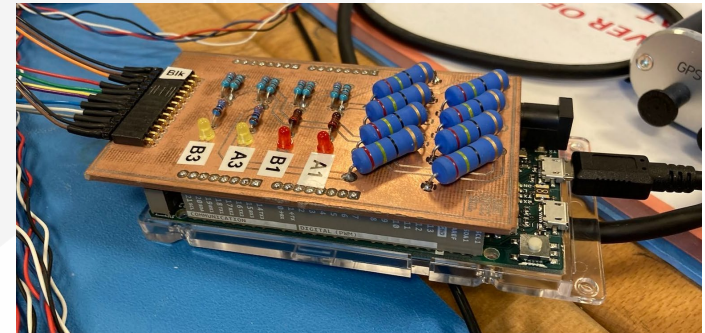


# OBC Subsystem

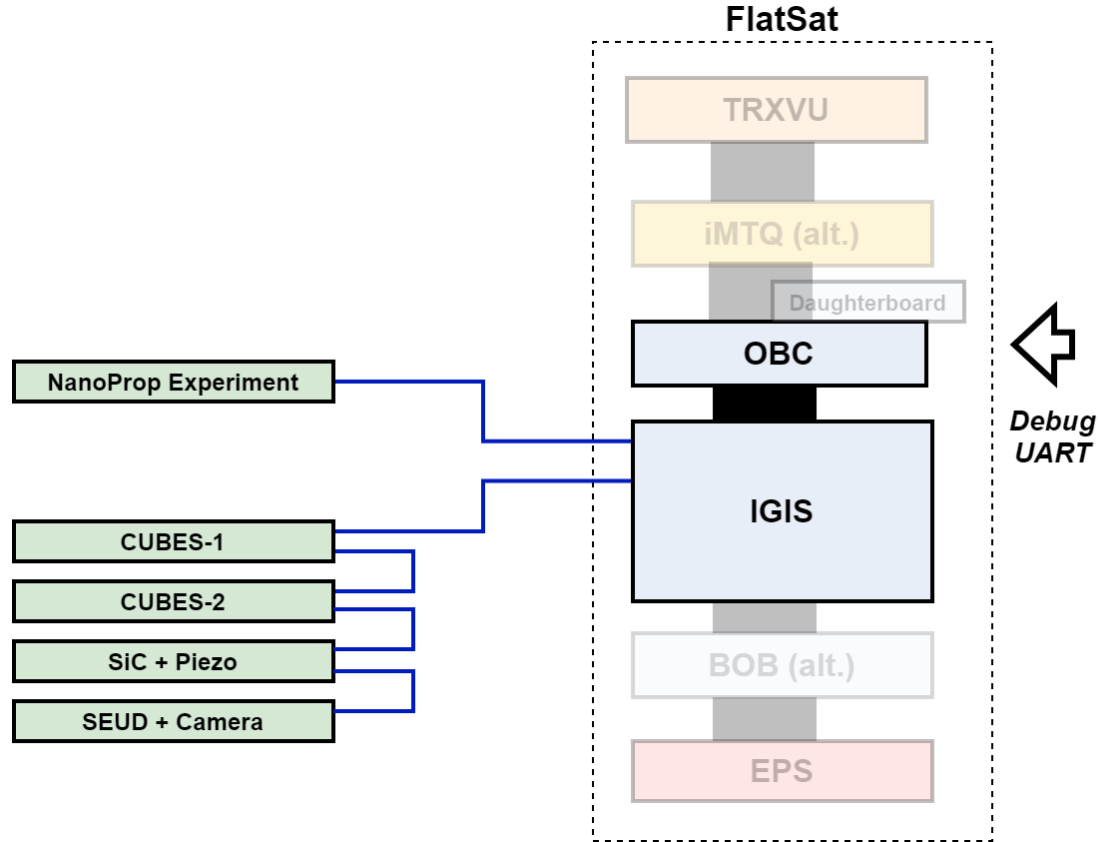




- Work on-going since the beginning of semester:
  - Issues related to HDRM Sim.
    - Throw GPIO signal to OBC
- Work planned by the end of semester:
  - Design test sequence for init. phase
  - Run init. phase with AntS Sim. & HDRM Sim.

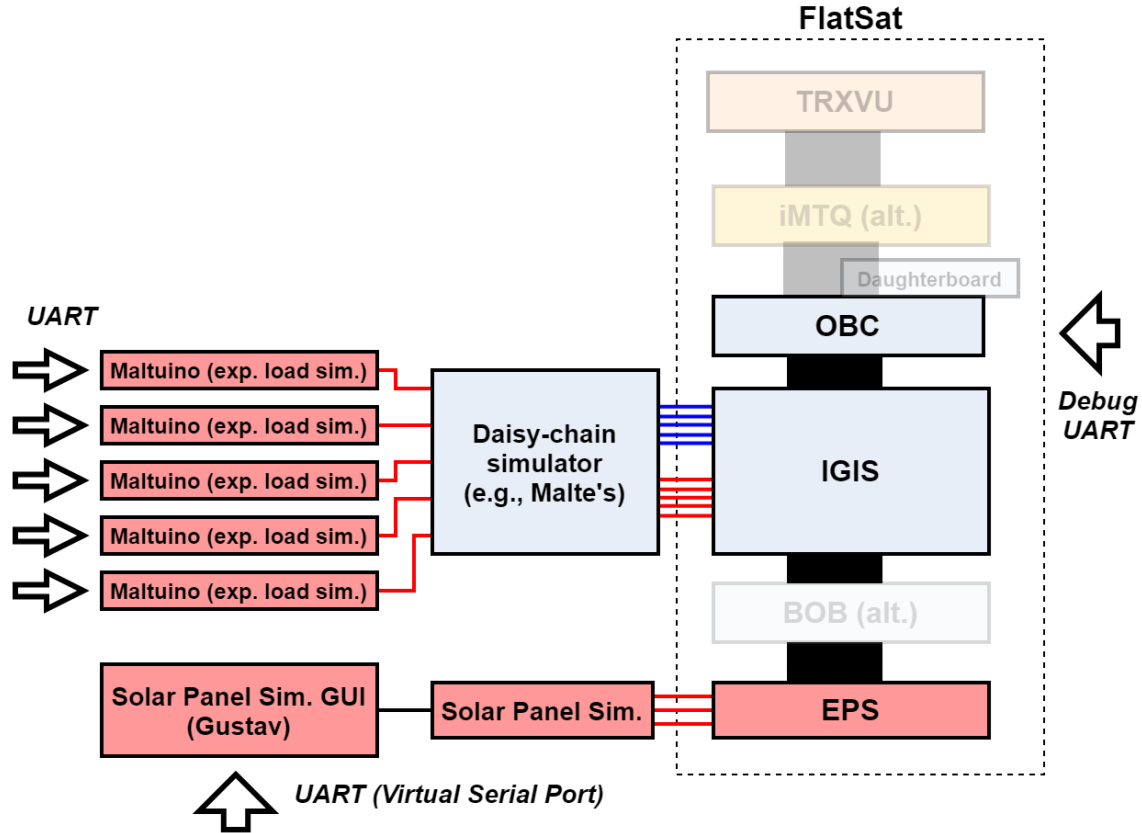


*Debugging scripts with HDRM Sim.*





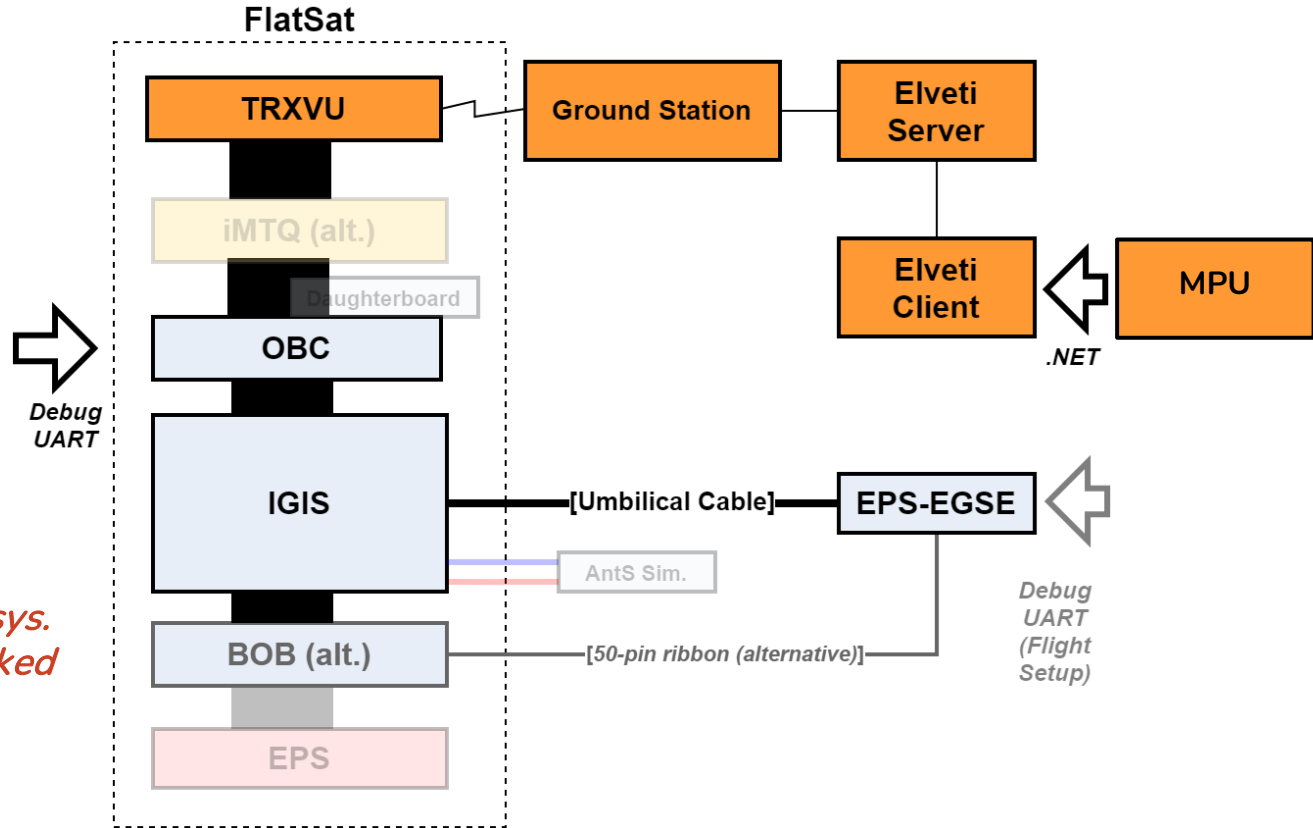
- Work done since the beginning of semester:
  - Several issues on NanoProp basic test
    - Fix thrusters HK values (wrong registries)
    - Thruster temperature (unusually high)
- Work on-going and planned by the end of semester:
  - Test NanoProp again after temperature calibration
  - Test CUBES short-circuit & surge protection circuit
  - Check CUBES function at Min/Max VBAT level
- When available:
  - Test SEUD & Camera





- Work done since the beginning of semester:
  - P31u repaired and reinstalled
- Work on-going and planned by the end of semester:
  - Battery testing (flight battery)
  - Test EPS WDT

# Satellite Communication Subsystem



*Sat. Comms. Subsys.  
has not been worked  
on this semester*





Tasks	March	April	May
<b>OBC Subsystem</b> Design HDRM Sim. with power draw (remaining)	■		
Design and test for initialization sequence (AntS Sim. & HDRM Sim.)		■	
<b>Experiment Subsystem</b> Rerun test on NanoProp (after calibration)	■		
Test CUBES short-circuit and surge protection circuit		■	
Check that experiments function at both Min and Max VBAT levels (CUBES)			■
<b>Power Subsystem</b> Battery Testing		■	
Test EPS WDT		■	